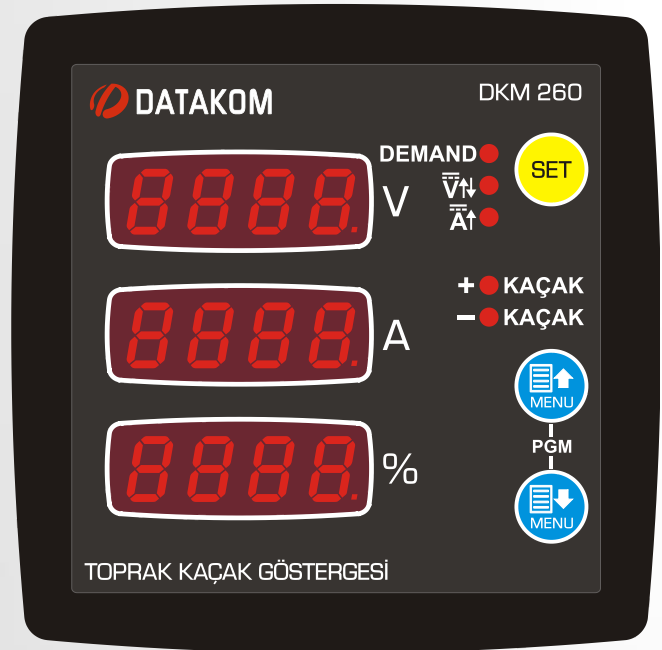


# DKM-260

## GROUND LEAKAGE INDICATOR



### DESCRIPTION

The DKM-260 is a precision instrument designed for monitoring the status of earth leakage in a DC supply busbar. It also measures, displays and remote monitors various DC parameters of a DC distribution box.

The unit features a 32-bit ARM core microcontroller.

The unit is supplied from the busbar voltage. It accepts from 19 to 150VDC busbar voltage.

The current input of the unit is isolated from the rest of the circuit and has different circuit options:

- External current shunt (standard)
- Internal current shunt
- Hall Effect sensor input

The relay output is programmable for its function.

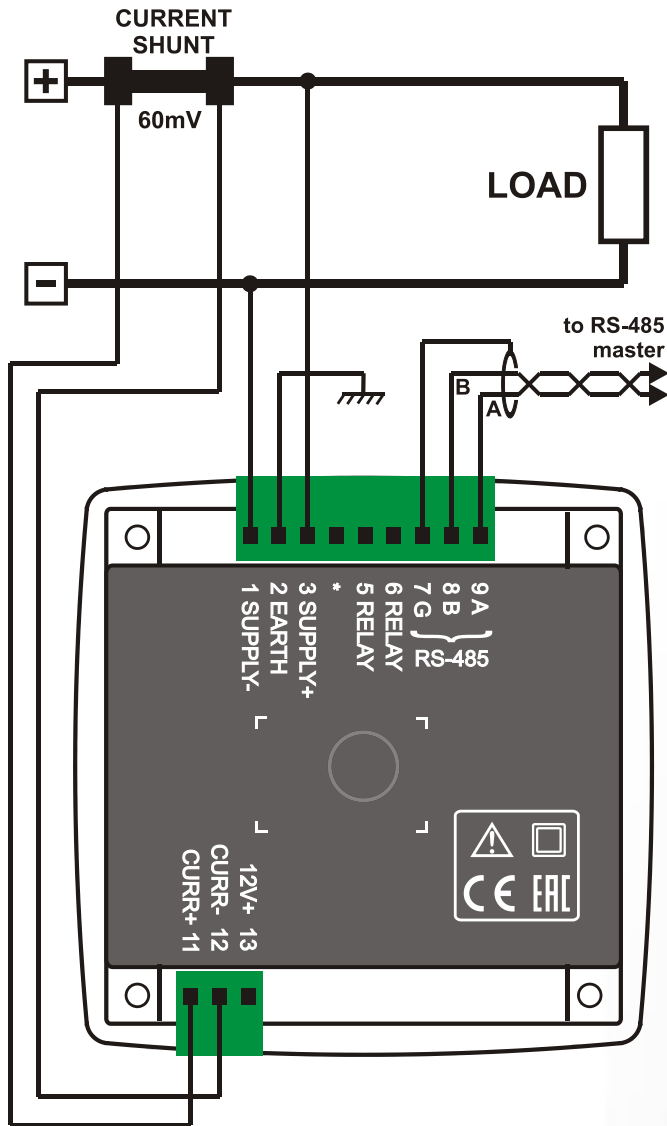
Thanks to its isolated RS-485 Modbus RTU comport, the device is free from ground potential difference issues and data are safely transferred to automation and monitoring systems. Program parameters may be uploaded to the unit through the RS-485 port.

### FEATURES

- *Indicates ground leakage in %*
- *DC analyzer functionality*
- *Programmable relay output*
- *Various current input options*
- *Demand records*
- *Fully isolated RS-485 serial port*
- *MODBUS-RTU communications*
- *Front panel programming*
- *Wide operating temperature range*
- *Sealed front panel (IP65 with gasket)*
- *Two part connection system*



## CONNECTION DIAGRAM



## TECHNICAL SPECIFICATIONS

**Supply Voltage:** 19-150VDC

**Power Consumption:** < 4W

**Voltage Measurements:**

**Measurement range:** 0-150V

**Measurement Sensitivity:** 0.1V

**Current Measurement Input:**

**Measurement range:** 0-100mV.

**Accuracy:** % 0.2

**Internal Current Shunt Option:**

**Measurement range:** 0-15A

**Relay Output:** 16A, volt free contacts

**Serial Port:**

**Signal type:** RS-485

**Protocol:** Modbus RTU

**Data Rate:** 2400-38400baud

**Isolation:** 1000V AC, 1 minute

**Operating Temp. Range:** -20°C...+70 °C

(-4°F...158°F)

**Max. Relative Humidity:** %95 non-condensing

**Protection Degree:** IP 65 (Front panel, w. gasket)

IP 30 (Back panel)

**Enclosure:** Flame retardent, ROHS compliant

high temperature ABS/PC (UL94-V0)

**Installation:** Flush mounting with rear brackets

**Dimensions:** 102x102x53mm (WxHxD)

**Panel Cutout:** 92x92mm

**Weight:** 200 gr

**EU Directives:**

2014/35/EC (LVD)

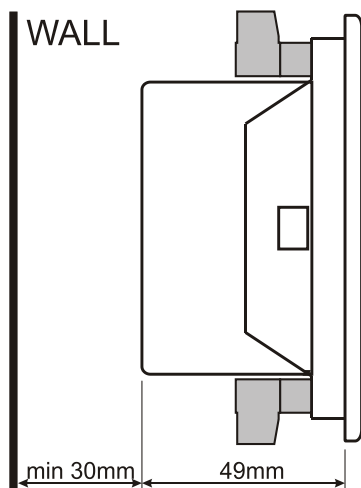
2014/30/EC (EMC)

**Reference Standards:**

EN 61010 (safety)

EN 61326 (EMC)

## INSTALLATION



## PANEL CUTOUT

